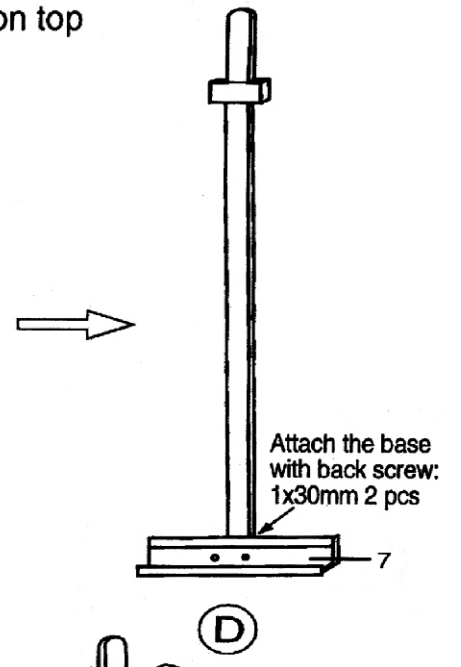
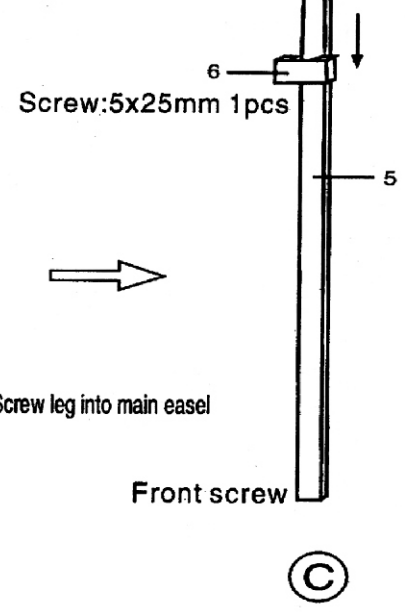
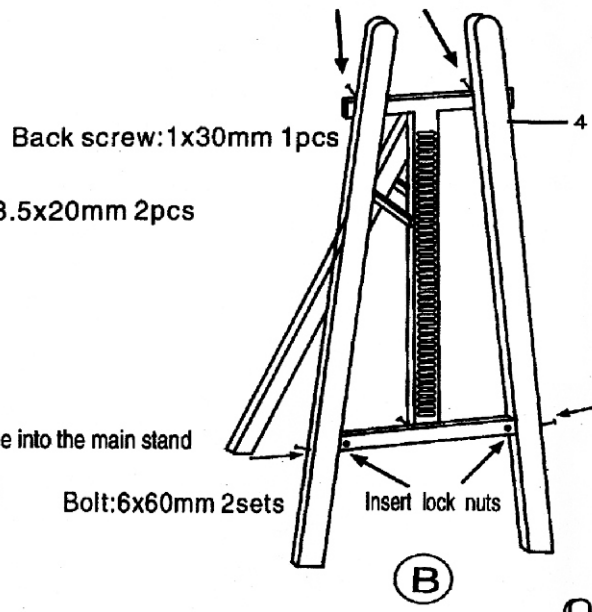
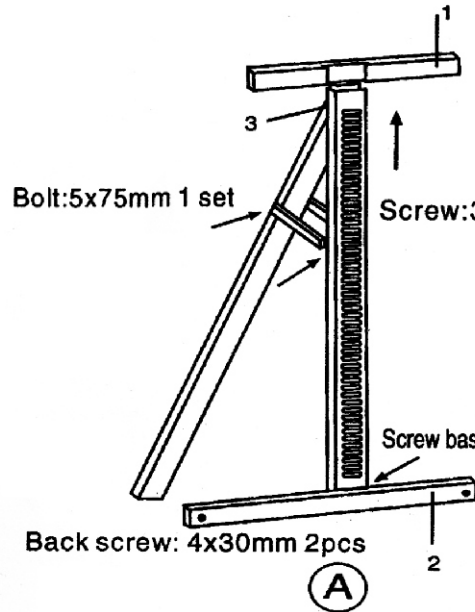


Insert top piece into place

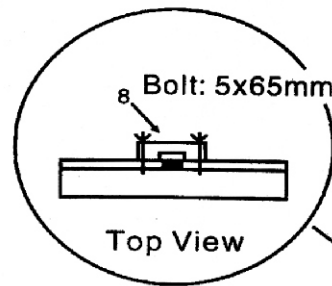
Attach Long Supports and Screw into place

Slide square block on top

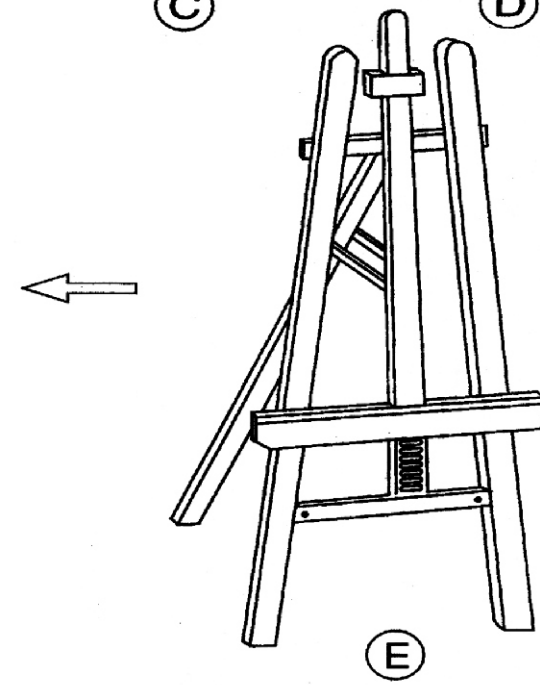
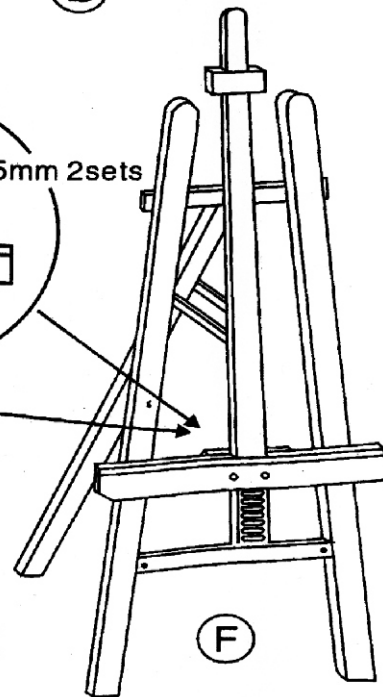


Assembly Parts List	
No.	Quantity
1	1 pcs
2	1 pcs
3	1 pcs
4	2 pcs
5	1 pcs
6	1 pcs
7	1 pcs
8	1 pcs

The number positions mean the front or upper of the easel



Screw the U shaped piece to the back of the easel for support



Assembly Drawing